

MB160 Plus

Multi Biometrics Time Attendance Terminal
Support Access Control



MB160 Plus is an innovative product featuring advanced fingerprint and face recognition technologies developed by ZKTeco.

The MB160 Plus supports multiple verification methods, including facial recognition, fingerprint and card verification, passwords and combinations between them, along with essential access control functions. With the facial recognition speed taking less than a second, this device streamlines the access process, ensuring that attendance management is quick and efficient.

Moreover, the MB160 Plus is equipped with TCP/IP, Wi-Fi, 4G, or USB interfaces for PC communication, allowing for easy data transfer. Whether you operate in a wired or wireless network environment, the MB160 Plus provides the flexibility and versatility to suit your needs.

Features



2.8-inch TFT Color Screen with Intuitive graphical UI for easy operation



Multiple Verification Modes: Facial recognition, fingerprint, passwords and card (optional)



Communication: TCP / IP, USB-Host, Built-in Wi-Fi / 4G (Optional)



Optimized Capacity: 1,500 face templates, 2,000 fingerprint templates, 100,000 events log



Facial Recognition Algorithm Choices: ZKFace V7.0 (Standard) and ZKFace V12.0



2600mAh Backup Battery (Optional)

Specifications

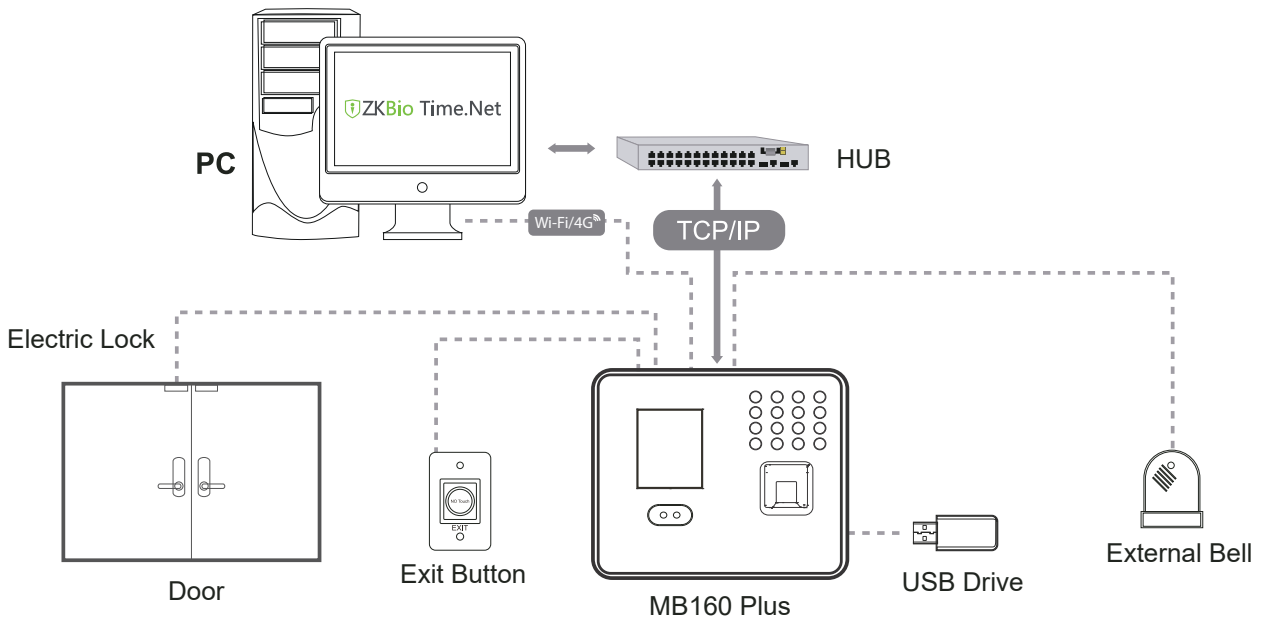
| | |
|---|--|
| Model | MB160 Plus |
| Display | 2.8"@ TFT Color LCD Screen (240*320) |
| Camera | Binocular Camera @ 1MP |
| Operation System | Linux |
| Hardware | CPU: Dual Core@1GHz RAM: 128MB; ROM: 256MB Speaker: 8 ohm@1W Physical Keypad: 16 Keys Fingerprint Sensor: ZK Optical Sensor |
| Authentication method | Face / Fingerprint / Card / Password (Physical Keypad) |
| User Capacity | 2,000 (1:N) (Standard) |
| Face Template Capacity | 1,500 (1:N) (Standard) |
| Fingerprint Template Capacity | 2,000 (1:N) (Standard) |
| Card Capacity | 2,000 (1:N) (Optional) |
| Transaction Capacity | 100,000 (1:N) |
| Max. User Password Length | 8 Digits |
| Biometric Verification Speed | less than 0.35 second (Facial Recognition) less than 0.5 second (Fingerprint Recognition) |
| Touchless Biometric Recognition Distance | 30cm to 80cm @ Face |
| False Acceptance Rate (FAR) % | ≤0.001% (Facial Recognition) ≤0.0001% (Fingerprint) |
| False Rejection Rate (FRR) % | ≤1% (Facial Recognition) ≤0.01% (Fingerprint) |
| Biometric Algorithm | ZKFace V7.0 & ZKFinger V10.0, ZKFace V12.0 (Optional) |
| Card Type | ID Card@125 kHz (Optional) IC Card@13.56 MHz (Optional) |
| Communication | TCP / IP*1 Wi-Fi (IEEE802.11 b / g / n) @ 2.4 GHz USB: Type A (USB Drive Only)*1 Electric Lock*1, Exit Button*1, Alarm*1 |
| Mobile Communication | LTE FDD: B1 / B2 / B3 / B4 / B5 / B7 / B8 / B12 / B13 / B18 / B19 / B20 / B25 / B26 / B28 LTE TDD: B38 / B39 / B40 / B41 UMTS: B1 / B2 / B4 / B5 / B6 / B8 / B19 GSM: B2 / B3 / B5 / B8 |
| Standard Functions | SMS, DST, Scheduled-bell, Self-Service Query, Automatic Status Switch, Photo ID, Multiple Verification Methods, Schedule Bell, 12V Output, Photo Capture, Event Photo Capture, 14-digit User ID, T9 Keyboard (Input) |
| Optional Functions | WorkCode, ADMS, HTTPs, Wi-Fi, 4G, External Bell & Printer (Optional Cable), Backup Battery |
| Power Supply | DC 12V 1.5A Backup Battery |
| Backup Battery | 2600mAh (Lithium Battery) Max. Operating Hours: 4Hours Max. Standby Hours: 6Hours Charging Time: 2.5Hours |
| Operating Temperature | 0°C to 45°C |
| Operating Humidity | 20% to 80% |

| | |
|--------------------|--|
| Dimensions (L*W*H) | 168.0 mm*148.50mm*37.80mm (L*W*H) |
| Gross Weight | 0.73 Kg |
| Net Weight | 0.66 Kg |
| Supported Software | ZKBio Time.Net / ZKBio Time (Optional) |
| Installation | Wall-mount |
| Certifications | ISO14001, ISO9001, CE, FCC, RoHS |

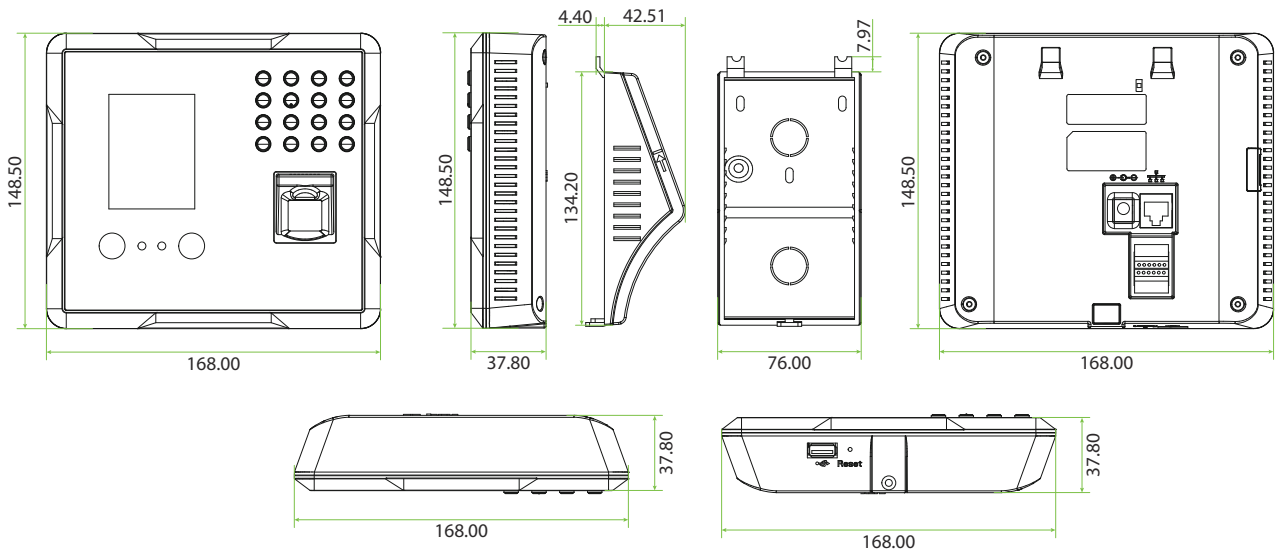
* The MB160 Plus has the V7.0 face algorithm and can also optional support the V12.0 face algorithm if desired. However, upgrading to the V12.0 algorithm will reduce the number of face templates from 1,500 to 900 and reset the device's data.

* When selecting an algorithm, make sure to choose carefully and remember that the device has a menu to switch between the two options.

Configuration



Dimensions(mm)



V1.0 09/04/2023

ZKTECO CO., LTD.

www.zkteco.com

E-mail: sales@zkteco.com



Copyright © 2023 ZKTECO CO., LTD. All rights reserved.